

AUTOMOTIVE & TRANSPORT



PERFORMANCE

PAYLOAD

DURABILITY

INDUSTRY



TUBULAR SOLUTIONS TO DRIVE INNOVATION IN TRANSPORTATION

AUTOMOTIVE
COMPONENTS

RAILWAY
APPLICATIONS

CUSTOMIZED
DESIGN

EMPOWER YOUR VEHICLES WITH OUR SEAMLESS TUBES AND HOLLOW SECTIONS

COMMITTED TO MEETING YOUR NEEDS

We have been developing tubular solutions for a wide range of industrial applications for more than 100 years. With a proven track record supplying leaders in the automotive and transport industry, we strive to constantly innovate and to partner with our customers to create ever better solutions.

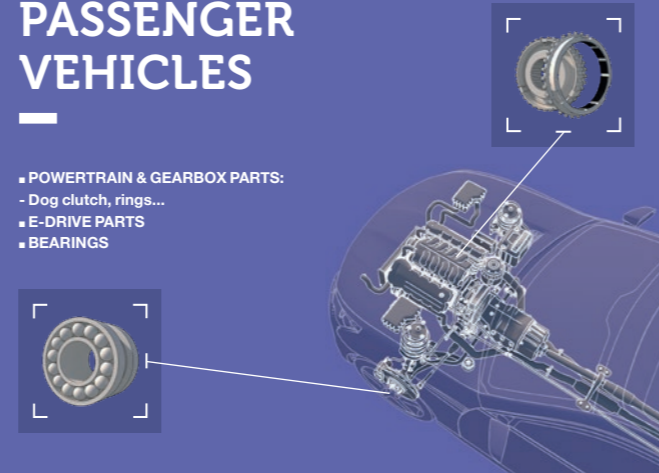
Our products are intended for:

- PASSENGER CARS
- COMMERCIAL VEHICLES
- RAILWAY VEHICLES
- TRAILERS
- TWO-WHEELED VEHICLES

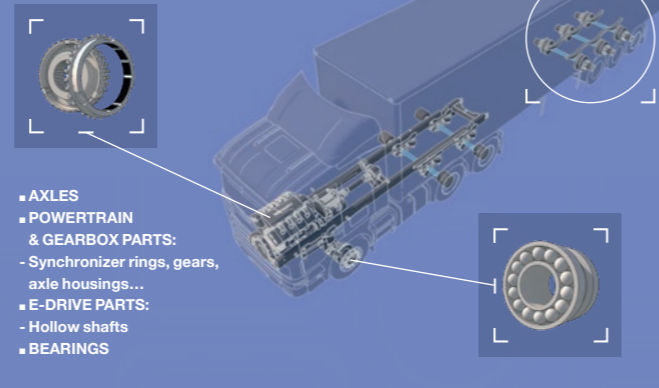
Our tubes are ideal to produce different types of automotive parts and can be used as delivered or for machining into smaller parts.

PASSENGER VEHICLES

- POWERTRAIN & GEARBOX PARTS:
 - Dog clutch, rings...
 - E-DRIVE PARTS
 - BEARINGS



COMMERCIAL VEHICLES & TRAILERS



- AXLES
- POWERTRAIN & GEARBOX PARTS:
 - Synchronizer rings, gears, axle housings...
 - E-DRIVE PARTS:
 - Hollow shafts
 - BEARINGS

GRADES

We offer a wide range of grades including low carbon steels, high strength steels and specially developed proprietary grades. We also offer all necessary treatments tailored to your needs (e.g. Ferrite-Pearlite annealing).

Common grades	20MnV6, S460NH...
Quench & temper grades	C45, 42CrMo4, S690...
Case hardening steels	16MnCr5, 20MnCr5...
Bearing & tool steel	100Cr6, 100CrMo7...

PRODUCT RANGE

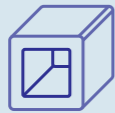
We offer a full range of standard and non-standard sizes with tight tolerances.

SHAPES & SIZES:

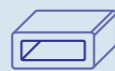
• Hot-rolled seamless



Round
OD: 27.5 - 711 mm
WT: 2.9 - 120 mm



Square
40 x 40 up to
300 x 300 mm
WT: 2.9 - 25 mm



Rectangular
50 x 30 up to
400 x 200 mm
WT: 2.9 - 25 mm

Forged internal and external shapes



Shaped pipes
OD: 200 - 445 mm
WT: 25 - 100 mm

• Cold Pilgered Seamless



Round
OD: 25 - 102 mm
WT: 3 - 22 mm

YOUR CHALLENGES

PERFORMANCE

OUR SOLUTIONS

- Our catalog of high performance grades combined with the advanced features of our seamless tubes enable to obtain the highest level of mechanical performance on the market, thus increasing the durability and mechanical loads without changing your design.

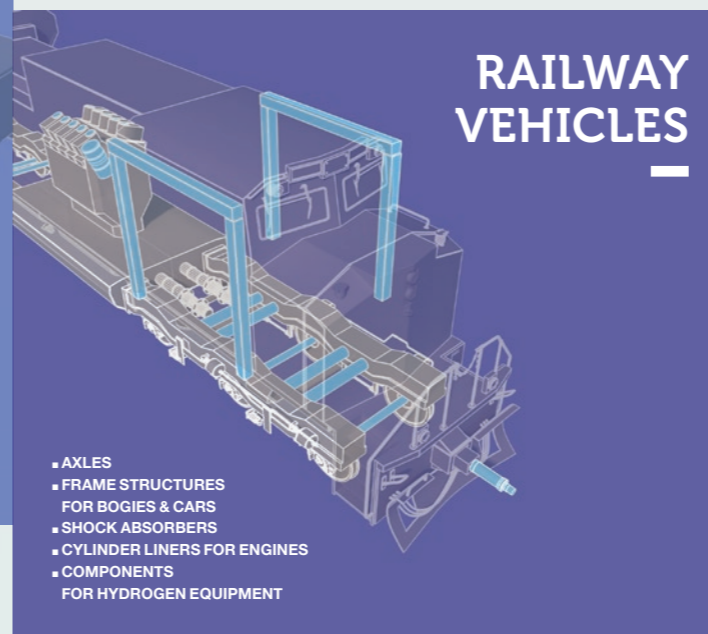
PAYLOAD

- Load capacity can be optimized by using seamless tubular products instead of solid parts. Hot-formed seamless square and rectangular hollow sections provide superior static strength thanks to their tight corner radii. Excellent strength to weight ratio means lower weight for equal performance.

DURABILITY

- Thanks to their manufacturing process, seamless tubes provide homogeneous properties leaving no place for weak points, resulting in longer lifetime compared to other solutions.

RAILWAY VEHICLES



- AXLES
- FRAME STRUCTURES FOR BOGIES & CARS
- SHOCK ABSORBERS
- CYLINDER LINERS FOR ENGINES
- COMPONENTS FOR HYDROGEN EQUIPMENT

SERVICES

TECHNICAL SUPPORT Right from the design phase, our experts provide support and can help you select the right specifications for your product needs.

TAILOR-MADE SOLUTIONS We have the capabilities to produce made-to-measure, including:

- Non-destructive testing (US and EMI)
- Cutting to short lengths
- Outside shot-blasting, peeling & grinding
- Pre-machining of ends
- Supply chain solutions

QUALIFICATION Vallourec will also support your project during the qualification process.

SUCCESS STORY

OPTIMIZED TRAIN DESIGN IN BRAZIL

Lighter tubular axles reduced the weight of a Brazilian company's iron ore transport wagons by 1 ton, optimizing cargo loads, improving fuel efficiency and reducing wear and tear on other components.

YOUR INDUSTRIAL PARTNER, SETTING THE PACE FOR INNOVATION AND PERFORMANCE EVOLUTION

6 INTERNATIONAL R&D CENTERS

50 PRODUCTION SITES

WORLDWIDE SALES AND SERVICES



Agricultural Machinery



Civil Construction



Automotive



Offshore Construction



Cranes/ Lifting Equipment

NEED MORE INFORMATION?

Information is available online on solutions.vallourec.com or by scanning the following QR code.



solutions.vallourec.com



Headquarters

12, rue de la Verrerie
92190 Meudon - FRANCE
industry@vallourec.com

www.vallourec.com

Find your local phone details on your country's page on www.vallourec.com.